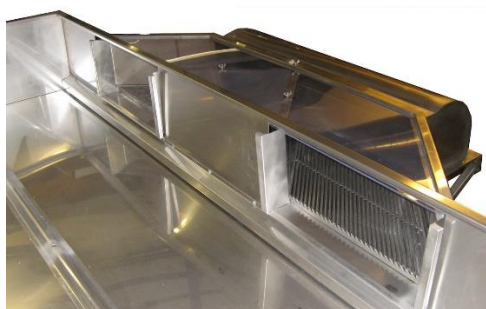


Apollo Standard grading machines

Apollo Standard grading machines have been manufactured since 1982, and many of the first machines are still in operation. The graders have a reputation of an incredible durability and reliability, as well as a delicate and accurate grading with high capacity.

The grader is available with 4, 5, 7 or 10 tracks – all with various options when it comes to number of outlets and type of dewaterer. Recommended fish size is ca. 5-500 grams. The machines can also be fitted with a special rail system, which enables grading of fish down to ca. 1 gram.



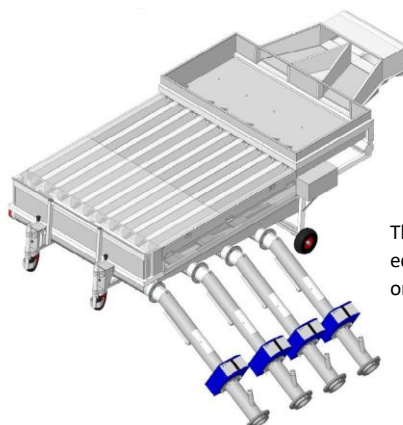
Dewaterer designed to grader model, fish size and water flow



Stainless steel design that ensures a gentle grading process

Model	4-track	5-track	7-track	10-track
Roller length, cm	200	200	200	200
Roller diameter, mm	63	63	63	63
Roller distance, mm	0-36	0-36	0-36	0-36
Number of outlets	3 or 4	3 or 4	3 or 4	3 or 4
Outlet size, mm	150	150	150	150
Motor, kW	0.24	0.24	0.24	0.24
Weight, kg *	280	320	485	600
Dimensions, cm *	315x113x126	315x132x126	315x167x128	315x225x130

* Weight/dimensions without dewaterer.



The graders can also be equipped with a counter on each outlet.